

ICS 77.140.75

English Version

## Hot finished steel structural hollow sections - Part 3: Technical delivery conditions for high strength and weather resistant steels

Profils creux de construction finis à chaud en aciers -  
Partie 3 : Conditions techniques de livraison des aciers  
à haute limite élastique et des aciers à résistance  
améliorée à la corrosion atmosphérique

Warmgefertigte Hohlprofile für den Stahlbau - Teil 3:  
Technische Lieferbedingungen für höher- und  
wetterfeste Stähle

This European Standard was approved by CEN on 10 August 2020.

CEN members are bound to comply with the CEN/CENELEC Internal Regulations which stipulate the conditions for giving this European Standard the status of a national standard without any alteration. Up-to-date lists and bibliographical references concerning such national standards may be obtained on application to the CEN-CENELEC Management Centre or to any CEN member.

This European Standard exists in three official versions (English, French, German). A version in any other language made by translation under the responsibility of a CEN member into its own language and notified to the CEN-CENELEC Management Centre has the same status as the official versions.

CEN members are the national standards bodies of Austria, Belgium, Bulgaria, Croatia, Cyprus, Czech Republic, Denmark, Estonia, Finland, France, Germany, Greece, Hungary, Iceland, Ireland, Italy, Latvia, Lithuania, Luxembourg, Malta, Netherlands, Norway, Poland, Portugal, Republic of North Macedonia, Romania, Serbia, Slovakia, Slovenia, Spain, Sweden, Switzerland, Turkey and United Kingdom.



EUROPEAN COMMITTEE FOR STANDARDIZATION  
COMITÉ EUROPÉEN DE NORMALISATION  
EUROPÄISCHES KOMITEE FÜR NORMUNG

**CEN-CENELEC Management Centre: Rue de la Science 23, B-1040 Brussels**

**Contents**

Page

European foreword.....	3
<b>1 Scope .....</b>	<b>4</b>
<b>2 Normative references .....</b>	<b>4</b>
<b>3 Terms, definitions and symbols.....</b>	<b>6</b>
<b>4 Classification and designation.....</b>	<b>7</b>
<b>5 Information to be obtained by the manufacturer .....</b>	<b>9</b>
<b>6 Manufacturing process.....</b>	<b>10</b>
<b>7 Requirements .....</b>	<b>11</b>
<b>8 Inspection .....</b>	<b>15</b>
<b>9 Frequency of testing and preparation of samples and test pieces .....</b>	<b>19</b>
<b>10 Test methods .....</b>	<b>21</b>
<b>11 Marking.....</b>	<b>23</b>
<b>Annex A (informative) Structural hollow sections of non-alloy quality steels — Chemical composition and mechanical properties.....</b>	<b>24</b>
<b>Annex B (informative) Structural hollow sections of normalized/normalized rolled steels — Chemical composition and mechanical properties .....</b>	<b>25</b>
<b>Annex C (normative) Structural hollow sections of thermomechanical formed steels — Chemical composition and mechanical properties.....</b>	<b>26</b>
<b>Annex D (normative) Structural hollow sections of quenched and tempered steels — Chemical composition and mechanical properties.....</b>	<b>31</b>
<b>Annex E (normative) Structural hollow sections of steels with improved atmospheric corrosion resistance — Chemical composition and mechanical properties .....</b>	<b>36</b>
<b>Annex F (normative) Location of samples and test pieces .....</b>	<b>38</b>
<b>Annex G (informative) Hot finished hollow section production processes, manufacturing routes and delivery conditions .....</b>	<b>40</b>
<b>Bibliography.....</b>	<b>43</b>

## European foreword

This document (EN 10210-3:2020) has been prepared by Technical Committee CEN/TC 459/SC 3 “Structural steels other than reinforcements”, the secretariat of which is held by DIN.

This European Standard shall be given the status of a national standard, either by publication of an identical text or by endorsement, at the latest by March 2021, and conflicting national standards shall be withdrawn at the latest by March 2021.

Attention is drawn to the possibility that some of the elements of this document may be the subject of patent rights. CEN shall not be held responsible for identifying any or all such patent rights.

EN 10210 consists of the following parts:

- EN 10210-1, Hot finished steel structural hollow sections - Part 1: Technical delivery conditions
- EN 10210-2, Hot finished steel structural hollow sections - Part 2: Tolerances, dimensions and sectional properties
- EN 10210-3, Hot finished steel structural hollow sections - Part 3: Technical delivery conditions for high strength and weather resistant steels

It forms part of a series of standards on hollow sections together with EN 10219-1 to EN 10219-3.

According to the CEN-CENELEC Internal Regulations, the national standards organisations of the following countries are bound to implement this European Standard: Austria, Belgium, Bulgaria, Croatia, Cyprus, Czech Republic, Denmark, Estonia, Finland, France, Germany, Greece, Hungary, Iceland, Ireland, Italy, Latvia, Lithuania, Luxembourg, Malta, Netherlands, Norway, Poland, Portugal, Republic of North Macedonia, Romania, Serbia, Slovakia, Slovenia, Spain, Sweden, Switzerland, Turkey and the United Kingdom.

## 1 Scope

This document specifies technical delivery conditions for high strength and weather resistant hot-finished seamless, electric welded and submerged arc welded steel structural hollow sections of circular, square, rectangular or elliptical forms.

It applies to hollow sections formed hot, with or without subsequent heat treatment, or formed cold with subsequent heat treatment above 580 °C to obtain equivalent mechanical properties to those obtained in the hot formed product.

NOTE 1 The requirements for tolerances, dimensions and sectional properties are specified in EN 10210-2.

NOTE 2 The attention of users is drawn to the fact that whilst cold formed grades in EN 10219-3 can have equivalent mechanical properties to hot-finished grades in this document the sectional properties of square and rectangular hollow sections in EN 10210-2 and EN 10219-2 are not equivalent.

NOTE 3 A range of material grades is specified in this document and the user can select the grade most appropriate to the intended use and service conditions. The grades and mechanical properties of the finished hollow sections are generally comparable with those in EN 10025-4, EN 10025-5 and EN 10025-6.

NOTE 4 The requirements for seamless and welded steel structural hollow sections for use in offshore structures are covered in the EN 10225 series.

NOTE 5 Spiral welded hollow sections are expected to be used with caution in applications involving dynamic behaviour (fatigue stress) as, up to now, there is insufficient data regarding their performance.

## 2 Normative references

The following documents are referred to in the text in such a way that some or all of their content constitutes requirements of this document. For dated references, only the edition cited applies. For undated references, the latest edition of the referenced document (including any amendments) applies.

EN 1011-1, *Welding - Recommendations for welding of metallic materials - Part 1: General guidance for arc welding*

EN 1011-2, *Welding - Recommendations for welding of metallic materials - Part 2: Arc welding of ferritic steels*

EN 10020, *Definition and classification of grades of steel*

EN 10021, *General technical delivery conditions for steel products*

EN 10027-1, *Designation systems for steels - Part 1: Steel names*

EN 10027-2, *Designation systems for steels - Part 2: Numerical system*

EN 10160, *Ultrasonic testing of steel flat product of thickness equal or greater than 6 mm (reflection method)*

EN 10168, *Steel products - Inspection documents - List of information and description*

EN 10204, *Metallic products - Types of inspection documents*

EN 10210-2, *Hot finished steel structural hollow sections - Part 2: Tolerances, dimensions and sectional properties*

CEN/TR 10261, *Iron and steel - European standards for the determination of chemical composition*

EN 10266, *Steel tubes, fittings and structural hollow sections - Symbols and definitions of terms for use in product standards*

EN ISO 148-1, *Metallic materials - Charpy pendulum impact test - Part 1: Test method (ISO 148-1)*

EN ISO 377, *Steel and steel products - Location and preparation of samples and test pieces for mechanical testing (ISO 377)*

EN ISO 643, *Steels - Micrographic determination of the apparent grain size (ISO 643)*

EN ISO 2566-1, *Steel - Conversion of elongation values - Part 1: Carbon and low alloy steels (ISO 2566-1)*

EN ISO 4885, *Ferrous materials - Heat treatments - Vocabulary (ISO 4885)*

EN ISO 6892-1, *Metallic materials - Tensile testing - Part 1: Method of test at room temperature (ISO 6892-1)*

EN ISO 9606-1, *Qualification testing of welders - Fusion welding - Part 1: Steels (ISO 9606-1)*

EN ISO 9712, *Non-destructive testing - Qualification and certification of NDT personnel (ISO 9712)*

EN ISO 10893-2, *Non-destructive testing of steel tubes - Part 2: Automated eddy current testing of seamless and welded (except submerged arc-welded) steel tubes for the detection of imperfections (ISO 10893-2)*

EN ISO 10893-3, *Non-destructive testing of steel tubes - Part 3: Automated full peripheral flux leakage testing of seamless and welded (except submerged arc-welded) ferromagnetic steel tubes for the detection of longitudinal and/or transverse imperfections (ISO 10893-3)*

EN ISO 10893-6, *Non-destructive testing of steel tubes - Part 6: Radiographic testing of the weld seam of welded steel tubes for the detection of imperfections (ISO 10893-6)*

EN ISO 10893-7, *Non-destructive testing of steel tubes - Part 7: Digital radiographic testing of the weld seam of welded steel tubes for the detection of imperfections (ISO 10893-7)*

EN ISO 10893-8, *Non-destructive testing of steel tubes - Part 8: Automated ultrasonic testing of seamless and welded steel tubes for the detection of laminar imperfections (ISO 10893-8)*

EN ISO 10893-9, *Non-destructive testing of steel tubes - Part 9: Automated ultrasonic testing for the detection of laminar imperfections in strip/plate used for the manufacture of welded steel tubes (ISO 10893-9)*

EN ISO 10893-10, *Non-destructive testing of steel tubes - Part 10: Automated full peripheral ultrasonic testing of seamless and welded (except submerged arc-welded) steel tubes for the detection of longitudinal and/or transverse imperfections (ISO 10893-10)*

EN ISO 10893-11, *Non-destructive testing of steel tubes - Part 11: Automated ultrasonic testing of the weld seam of welded steel tubes for the detection of longitudinal and/or transverse imperfections (ISO 10893-11)*

## EN 10210-3:2020 (E)

EN ISO 14284, *Steel and iron - Sampling and preparation of samples for the determination of chemical composition (ISO 14284)*

EN ISO 14713-2:2009, *Zinc coatings - Guidelines and recommendations for the protection against corrosion of iron and steel in structures - Part 2: Hot dip galvanizing (ISO 14713-2:2009)*

EN ISO 15607, *Specification and qualification of welding procedures for metallic materials - General rules (ISO 15607)*

EN ISO 15609-1, *Specification and qualification of welding procedures for metallic materials - Welding procedure specification - Part 1: Arc welding (ISO 15609-1)*

EN ISO 15614-1, *Specification and qualification of welding procedures for metallic materials - Welding procedure test - Part 1: Arc and gas welding of steels and arc welding of nickel and nickel alloys (ISO 15614-1)*

ISO 11484, *Steel products — Employer's qualification system for non-destructive testing (NDT) personnel*

SNT TC-1A, *Personnel Qualification and Certification in Nondestructive Testing*

### 3 Terms, definitions and symbols

#### 3.1 Terms and definitions

For the purpose of this document, the terms and definitions given in EN 10020, EN 10021, EN 10266 and EN ISO 4885 and the following apply.

ISO and IEC maintain terminological databases for use in standardization at the following addresses:

- IEC Electropedia: available at <http://www.electropedia.org/>
- ISO Online browsing platform: available at <https://www.iso.org/obp>

##### 3.1.1

###### **hot finished**

hollow sections formed hot, with or without subsequent heat treatment, or formed cold with subsequent heat treatment above 580 °C to obtain equivalent metallurgical conditions to those obtained in the hot formed product

##### 3.1.2

###### **cold forming**

process where the forming to final shape of the welded hollow section is carried out at ambient temperature

Note 1 to entry: Circular hollow sections produced from normalized strip with a normalized weld seam and with a cold forming ratio of  $D/T \geq 20$  may be classified as hot-finished hollow sections.

##### 3.1.3

###### **thermomechanical forming**

simultaneously performed forming process and heat treatment in which the final deformation from round to rectangular/square/elliptical hollow sections is carried out in a certain temperature range above 580 °C leading to a material condition with certain properties which cannot be achieved or repeated by heat treatment alone

Note 1 to entry: Thermomechanical rolling leading to the delivery condition M can include processes with an increased cooling rate with or without tempering including self-tempering but excluding direct quenching as well as quenching and tempering.

Note 2 to entry: In some publications, the word TMCP (Thermomechanical Control Process) is also used.

### **3.1.4 steel with improved atmospheric corrosion resistance**

steel in which a certain number of alloying elements has been added in order to increase its resistance to atmospheric corrosion, by forming an auto-protective oxide layer on the base metal under the influence of weather conditions

Note 1 to entry: Steel with improved atmospheric corrosion resistance is often called weathering steel.

Note 2 to entry: Additional information for the use of steel with improved atmospheric corrosion resistance is given in Annex E.

### **3.1.5 quenching and tempering**

process which consists of the following two steps:

- first quenching, where the steel is heated up above the AC3 temperature and then rapidly cooled down in liquids to create a process specific grain structure;
- afterwards tempering, during which the steel is heated up to a certain temperature to adjust the desired properties and cooled down in air afterwards

### **3.1.6 fine grain steel**

steels with fine grain structure with an equivalent index of ferritic grain size  $\geq 6$

Note 1 to entry: For the determination of grain sizes except for +QT steels, see EN ISO 643.

### **3.1.7 hot-dip zinc coating**

application of a zinc coating by immersing the prepared strip or hollow section in a molten bath containing a zinc content of at least 98%

## **3.2 Symbols**

For the purposes of this document, the symbols defined in EN 10266 apply.

## **4 Classification and designation**

### **4.1 Classification**

**4.1.1** Within the grades of steels given in Annex C and D five qualities M, ML, Q, QL and QL1 are specified. These differ in respect of the carbon, sulphur and phosphorus content, low temperature impact properties, production process, heat treatment and grain size.

In accordance with the classification system in EN 10020, all steel grades are alloy special steels.

**4.1.2** Within the grades of steels given in Annex E, three qualities J0, J2 and K2 are specified. These differ in respect of specified impact requirements and limits on values of various elements.

In accordance with the classification system in EN 10020, all steel grades in Annex E are alloy special steels.

## **4.2 Designation**

**4.2.1** For the products covered by this document, the steel names are allocated in accordance with EN 10027-1; the steel numbers are allocated in accordance with EN 10027-2.

**4.2.2** The designation of steel hollow sections consists of:

- a) the number of this document (EN 10210-3);
- b) the capital letter S for structural steel;
- c) the indication of the minimum specified yield strength for thicknesses  $\leq 16$  mm expressed in MPa;
- d) further designations for either:
  - 1) thermomechanical formed structural steels:
    - i) capital letter M to indicate thermomechanical rolled with specified impact properties at  $-20$  °C (see 6.5);
    - ii) capital letters ML for qualities with specified impact properties at  $-50$  °C; or
  - 2) structural steels in the quenched and tempered condition:
    - i) capital letter Q to indicate the quenched and tempered condition with specified impact properties at  $-20$  °C (see 6.5);
    - ii) capital letters QL or QL1 for qualities with specified impact properties at  $-40$  or  $-50$  °C; or
  - 3) steels with improved atmospheric corrosion resistance:
    - i) the characters J0 for the qualities with specified impact properties at  $0$  °C;
    - ii) the characters J2 or K2 for the qualities with specified impact properties at  $-20$  °C; and
    - iii) the letter W (weather) for improved atmospheric corrosion resistance; and
- e) the capital letter H to indicate hollow sections.

**EXAMPLE 1** Hollow section made of structural steel (S) with a specified minimum yield strength for a thickness not greater than 16 mm of 460 MPa, quenched and tempered condition (Q), with a minimum impact energy value of 30 J at  $-20$  °C, hollow section (H):

EN 10210-3 — S460QH

or

EN 10210-3 — 1.8608



EXAMPLE 2 Hollow section made of structural steel (S) with a specified minimum yield strength for a thickness not greater than 16 mm of 355 MPa, with a minimum impact energy value of 27 J at  $-20\text{ }^{\circ}\text{C}$  (J2), weather resistant steel (W) hollow section (H):

EN 10210-3 — S355J2WH

or

EN 10210-3 — 1.8645

## 5 Information to be obtained by the manufacturer

### 5.1 Mandatory information

The following information shall be contained in the order document at the time of enquiry and order:

- a) the quantity (mass or total length);
- b) details of the product form:
  - 1) HFCHS = hot finished circular hollow sections;
  - 2) HFRHS = hot finished square or rectangular hollow sections;
  - 3) HFEHS = hot finished elliptical hollow sections;
- c) the name of the standard for dimensions and tolerances (EN 10210-2);
- d) the dimensions and the type of length, length range or length (see EN 10210-2);
- e) the steel designation (see 4.2).

### 5.2 Options

A number of options are specified in EN 10210-2 and this document. Those relevant to this part are listed below with appropriate clause references. In the event that the purchaser does not indicate a wish to implement any of these options at the time of enquiry and order, the hollow sections shall be supplied in accordance with the basic specification.

- 3.1 Internal weld bead trimmed (see 6.4.2);
- 3.2 Empty (Option for EN 10219 series)
- 3.3 Product analysis (see 7.1.1);
- 3.4 Empty;
- 3.5 Tensile test in corner region (see 7.2.1);
- 3.6 Impact test in corner region (see 7.2.2).
- 3.7 Verification of impact properties for quality J0 (see 7.2.3);
- 3.8 The product shall have a chemical composition suitable for hot-dip-zinc coating (see 7.3.2);
- 3.9 Weld repairs to the body of structural steel hollow sections are permitted (see 7.4.4);

- 3.10 Full peripheral NDT (non-destructive testing) of circular tubes for imperfections - not possible for elliptical, rectangular, square and SAW (submerged arc welded) hollow sections (see 7.5);
- 3.11 Ultrasonic testing for laminar imperfections (see 7.5);
- 3.12 Inspection certificate 3.1 for steel grade S355J0WH of Annex E instead of a test report 2.2 (see 8.1);
- 3.13 Inspection certificate 3.2.

### 5.3 Example of an order

100 t hot finished square hollow section in accordance with EN 10210-2 with specified outside dimensions 100 mm × 100 mm and wall thickness of 8 mm of 12 m approximate length, grade S460QH according to this document and supplied with inspection certificate 3.1:

EXAMPLE 100 t - HFRHS - EN 10210-2 — 100 × 100 × 8 - approximate length 12 m  
EN 10210-3 — S460QH

## 6 Manufacturing process

### 6.1 General

Structural hot finished hollow sections of thermomechanical rolled and quenched and tempered steels shall conform to Annexes C and D and steels with improved atmospheric corrosion resistance shall conform to the requirements of Annex E.

In addition, the general technical delivery requirements specified in EN 10021 shall apply.

### 6.2 Steel manufacturing process

6.2.1 The steel manufacturing process shall be at the discretion of the hollow section manufacturer with the exception that the open hearth (Siemens-Martin) process shall not be employed.

6.2.2 The method of deoxidation shall be as specified in Tables C.1, D.1 and E.1.

### 6.3 Grain structure

The steels grades given in Annexes C and D shall have a ferritic grain size equal to or finer than 6 when measured in accordance with EN ISO 643 (see 7.2.4).

### 6.4 Structural hollow section manufacturing process

6.4.1 Structural hollow sections shall be manufactured by a seamless or by a welding process (see informative Annex G, Table G.1). Welded sections manufactured by a continuous process shall not include the welds used to join the lengths of strip prior to forming the hollow section, except as permitted in 10.4.3.

6.4.2 Electric welded hollow sections shall be supplied with the external weld bead trimmed to an essentially flush condition. Trimming of the internal weld bead is at the discretion of the manufacturer unless Option 3.1 is specified.

Option 3.1 Electric welded hollow sections shall be supplied with the internal weld bead trimmed, the maximum height of the internal weld bead after trimming shall be agreed at the time of enquiry and order.

**6.4.3** All NDT activities shall be carried out by qualified and competent level 1, 2 and/or 3 personnel authorized to operate by the employer.

The qualification shall be in accordance with ISO 11484 or SNT TC-1A or EN ISO 9712.

It is recommended that the level 3 personnel be certified in accordance with EN ISO 9712 or ASNT.

The operating authorization issued by the employer shall be in accordance with a written procedure.

NDT operations shall be authorized by a level 3 NDT individual approved by the employer.

NOTE The definition of levels 1, 2 and 3 can be found in the appropriate standards, e.g. EN ISO 9712 and ISO 11484.

## 6.5 Delivery condition

The products shall be delivered in the conditions indicated below:

- Qualities M and ML — thermomechanical formed,
- Qualities Q, QL and QL1 — quenched and tempered,
- Qualities J0W, J2W and K2W — improved atmospheric corrosion resistance.

## 7 Requirements

### 7.1 Chemical composition

**7.1.1** The chemical composition determined by the cast analysis and reported by the steel producer shall comply with the requirements given in Tables C.1, D.1 or E.1.

The maximum carbon equivalent value (CEV) for all grades, based on the cast analyses, given in Tables C.2, D.2 and E.2 shall apply.

When determining the CEV, the following formula of the International Institute of Welding (IIW) shall be used:

$$CEV = C + \frac{Mn}{6} + \frac{Cr + Mo + V}{5} + \frac{Ni + Cu}{15}$$

In addition to the cast analysis the following option can be specified by the purchaser at the time of enquiry and order:

Option 3.3 For products supplied with specific inspection and testing, a product analysis shall be reported.

Deviations of the product analysis from the specified limits of the cast analysis shall be in accordance with Table 1.

**7.1.2** When products are supplied with a control on Si e.g. for hot-dip zinc-coating there could be a need, for certain grades and thicknesses, to increase the content of other elements such as C and Mn, to achieve the required mechanical properties. In such cases, the maximum carbon equivalent values of Table C.2 to Table E.2 may be increased as follows:

- for Si ≤ 0,04 %, increase the value of the CEV by 0,02;
- for Si ≤ 0,25 %, increase the value of the CEV by 0,01.

**Table 1 — Permissible deviations of the product analysis from the specified limits of the cast analysis specified in Tables C.1, D.1 and E.1**

Element	Permissible maximum content in the cast analysis	Permissible deviation of the product analysis from specified limits for the cast analysis
	% by mass	% by mass
C	≤ 0,20	+ 0,02
	> 0,20	+ 0,03
Si	≤ 0,60	+ 0,05
	> 0,60	+ 0,06
Mn	thermomechanical formed ≤ 2,10	+ 0,10
	quenched and tempered ≤ 1,70	+ 0,10
	weather ≤ 1,50	- 0,05 / + 0,10
P	thermomechanical formed ≤ 0,030, quenched and tempered ≤ 0,025	+ 0,005
	weather ≤ 0,035	+ 0,010
S	thermomechanical formed ≤ 0,025	+ 0,005
	quenched and tempered ≤ 0,015	+ 0,002
	weather ≤ 0,035	+ 0,010
Nb	≤ 0,060	+ 0,010
V	≤ 0,20	+ 0,02
Ti	≤ 0,03	+ 0,01
	> 0,03	+ 0,02
Cr	≤ 0,30	+ 0,05
	> 0,30	+ 0,10
Ni	≤ 0,80	+ 0,05
	> 0,80	+ 0,10
Mo	≤ 0,10	+ 0,03
	> 0,10	+ 0,04
Cu	thermomechanical formed, weather ≤ 0,35	±0,04
	thermomechanical formed, weather 0,35 < Cu ≤ 0,55	+ 0,07
	quenched and tempered ≤ 0,50	+ 0,05
N	thermomechanical formed, weather ≤ 0,025	+ 0,002
	quenched and tempered ≤ 0,020	+ 0,001
Al <sub>total</sub>	≥ 0,020	- 0,005

Element	Permissible maximum content in the cast analysis	Permissible deviation of the product analysis from specified limits for the cast analysis
	% by mass	% by mass
B	≤ 0,005 0	+ 0,000 5
Zr	≤ 0,15	+ 0,02

## 7.2 Mechanical properties

**7.2.1** Under the inspection and testing conditions as specified in Clause 8 and in the delivery condition as specified in 6.5 the mechanical properties of the finished hollow section shall conform to the relevant requirements of Tables C.3, C.4, D.3, D.4 and E.3.

Any heat treatment at more than 580 °C could lead to a reduction in the mechanical properties of TMCR sections and also hot finished sections not processed in the normalizing temperature range.

The following option can be specified by the purchaser at the time of enquiry and order:

Option 3.5 Longitudinal test pieces for the tensile test shall be taken from the centre of the corner, but remote from the weld in welded sections, (see Annex F).

**7.2.2** Another temperature as given in the Tables C.4, D.4 and E.3 may be agreed at the time of the order.

If a Charpy test is performed at a lower temperature than specified in the standard and the impact energy values obtained meet the requirements at the higher temperature, then the material is deemed to conform to the standard and the test need not be repeated at the higher temperature.

The following option can be specified by the purchaser at the time of enquiry and order:

Option 3.6 Longitudinal test pieces for the impact test shall be taken from the centre of the corner, but remote from the weld in welded sections, with the notch orientated through the material thickness.

**7.2.3** Subject to limitations of 7.2.2:

- a) the impact properties of structural hollow sections of steel qualities M, ML, Q, QL and QL1 shall be verified;
- b) the impact properties of structural hollow sections of steel quality J0 need not be verified unless option 3.7 is specified by the purchaser at the time of enquiry and order.

Option 3.7 For products in quality J0 supplied with specific inspection and testing (see Option 3.12 and 3.13) the verification of the impact properties is specified.

**7.2.4** The following requirement for fine grain steel hollow sections can be specified.

For fine grain steel hollow sections in thicknesses which do not permit impact test pieces of width  $\geq 5$  mm to be taken, the ferritic grain size (see 6.3) shall be verified by the method as described in EN ISO 643.

When aluminium is used as the grain refining element, the grain size requirement shall be deemed to be fulfilled if the cast analysis shows the aluminium content to be  $\geq$  than 0,020 % total aluminium or alternatively  $\geq 0,015$  % soluble aluminium. In these cases, verification of the grain size is not required.

## 7.3 Technological properties

### 7.3.1 Weldability

The steels specified in this document are weldable as given in Annexes C to E. General requirements for welding of the products in accordance with this document are given in EN 1011-1 and EN 1011-2.

NOTE 1 When welding hollow sections, as product thickness, strength level and CEV increase, the occurrence of cold cracking in the welded zone forms the main risk. Cold cracking is caused by a combination of the following factors:

- high levels of diffusible hydrogen in the weld metal;
- a brittle structure in the heat affected zone;
- significant tensile stress concentrations in the welded joint.

NOTE 2 By using guidelines, specified for example in EN 1011-1, EN 1011-2 or any other relevant welding standard, the recommended welding conditions and the various welding ranges for the steel grades can be determined. These will vary depending on the product thickness, the applied welding energy, the design requirements, the electrode efficiency, the welding process and the weld metal properties.

### 7.3.2 Hot-dip-zinc coating

EN ISO 1461 should be used to specify coating requirements. EN ISO 14713-2 provides further guidance, including information on the influence of various factors, including steel chemical composition, on the coating formation.

Option 3.8 can be used to order steels with a chemical composition required for hot-dip-zinc coating. When Option 3.8 is implemented, the purchaser and manufacturer shall agree a steel composition (cast analysis) of silicon and phosphorous according to either

- Category A (or steels satisfying the formula  $Si \leq 0,03 \%$  and  $Si + 2,5 P \leq 0,09 \%$ ); or
- Category B (limited to  $0,14 \% \leq Si \leq 0,25 \%$ ); or
- Category D (limited to  $0,25 \% < Si \leq 0,35 \%$ )

with required values as cited by the ranges given in EN ISO 14713-2:2009, Table 1, column 2.

Option 3.8 The chemical composition shall be suitable for hot dip zinc coating. If no additional information is given the delivered category is at the discretion of the manufacturer.

NOTE EN ISO 14713-2:2009, Table 1 gives guidance on typical coating characteristics on the basis of the surface composition of silicon and phosphorous associated with certain steel compositions.

The maximum carbon equivalent shall be increased by 0,02 or by 0,01 (see 7.1.2).

## 7.4 Product supply condition

7.4.1 The hollow sections shall have a smooth surface corresponding to the manufacturing method used; bumps, cavities or shallow longitudinal grooves resulting from the manufacturing process are permissible, provided the thickness is within tolerance, see EN 10210-2.

Surface imperfections may be removed by the manufacturer by grinding, provided that the thickness of the hollow section after the repair is not less than the minimum permissible thickness in accordance with EN 10210-2.

The presence of some mill scale from the hot finishing or heat treatment process is normal for these products.

**7.4.2** The ends of the hollow section shall be cut nominally square to the axis of the product.

**7.4.3** Repair of the weld shall not be permitted for hollow sections manufactured by a welding process except in the case of submerged arc welds.

**7.4.4** For hollow sections, manufactured by either a seamless or welding process, repair of the body by welding shall not be permitted unless otherwise specified. The conditions under which, and the extent to which, welding repair to the body may be carried out shall be agreed between the manufacturer and the purchaser.

Option 3.9 Weld repairs to the body of structural steel hollow sections are permitted.

**7.4.5** Any permitted weld repairs shall be carried out by operators qualified in accordance with EN ISO 9606-1. Welding procedures shall be issued in a written form and qualified in accordance with EN ISO 15607, EN ISO 15609-1 and EN ISO 15614-1.

A hollow section repaired in this way shall be considered to meet all the requirements of this document.

**7.4.6** For SAW helical hollow sections where strip/plate was joined together these butt welds shall be carried out by operators qualified in accordance with EN ISO 9606-1. Welding procedures shall be issued in a written form and qualified in accordance with EN ISO 15614-1.

## **7.5 Non-destructive testing**

The seam weld of all welded hollow sections supplied with specific inspection and testing shall be subjected to an applicable non-destructive test in accordance with 10.4.1 to 10.4.3.

Option 3.10 If agreed at the time of enquiry and order, every circular hollow section shall be full peripheral NDT-tested for imperfections according to one of the following standards: EN ISO 10893-2, EN ISO 10893-3 or EN ISO 10893-10 (see 10.4.4).

NOTE Full peripheral NDT is not possible for elliptical, square, rectangular and SAW hollow sections.

Option 3.11 If agreed at the time of enquiry and order, every circular hollow section shall be tested for laminar imperfections according to EN ISO 10893-8 or for welded tubes testing is also possible prior to welding according to EN ISO 10893-9 or EN 10160 (see 10.4.5).

## **7.6 Tolerances and mass**

**7.6.1** Tolerances on dimensions and shape shall be as specified in EN 10210-2.

**7.6.2** A density value of 7,85 kg/dm<sup>3</sup> shall be used in mass calculations.

NOTE Dimensions, sectional properties and mass per unit length for a limited range of sizes of hot finished structural hollow sections are given in EN 10210-2. It is preferable that the purchaser selects hollow section dimensions from this limited range of sizes.

# **8 Inspection**

## **8.1 Types of inspection**

Products complying with this document shall, in accordance with EN 10021, be ordered and delivered with an inspection document 2.2, 3.1 or 3.2 as specified in EN 10204. A test report 2.2 for steel grade

S355J0WH of Annex E and an inspection certificate 3.1 for all other steel grades of Annexes C to E shall be issued.

Option 3.12 An inspection certificate 3.1 for steel grade S355J0WH of Annex E shall be.

Option 3.13 An inspection certificate 3.2 shall be issued.

## **8.2 Types and contents of inspection documents**

**8.2.1** For products supplied with non-specific inspection, a test report 2.2 in accordance with EN 10204 shall be provided. The test report shall contain the following codes and relevant information in accordance with EN 10168.

- A — Commercial transactions and parties involved;
- B — Description of products to which the test report applies;
- C10-C13 — Tensile test;
- C71-C92 — Cast analysis;
- Z — Validation.

**8.2.2** For products supplied with an inspection certificate 3.1 or 3.2 following codes and relevant information in accordance with EN 10168 shall be provided.

- A — Commercial transactions and parties involved;
- B — Description of products to which the inspection certificate applies;
- C01-C03 — Location of the samples, direction of test pieces and test temperature;
- C10-C13 — Tensile test — Test piece shape and test results;
- C40-C43 — Impact test — Test piece type and test results, if applicable;
- C71-C92 — Cast analysis and, if applicable, product analysis (as a minimum all the elements referred to in Tables C.1, D.1 and E.1 as applicable and the CEV shall be reported);
- D02-D50 — If applicable, statement confirming that the NDT has been carried out and that the test results are satisfactory;
- Z — Validation.

If an inspection certificate 3.2 is specified, the purchaser shall notify the manufacturer of the address of the organization or person nominated by him to carry out the inspection and validate the inspection document.



### 8.3 Summary of inspection

The requirements for inspection are given in Tables 2 and 3.

**Table 2 — Non-specific inspection for hot-finished hollow sections for steel grade S355J0WH of Annex E**

Inspection requirements				Inspection programme
Type of test		Subclause reference(s)		Non-specific inspection
<b>Mandatory tests</b>	1	Cast analysis	7.1 10.1	One result per delivery item
	2	Tensile test	7.2 10.2.2	One representative result per delivery item
	3	Impact test for quality J0 only	7.2.1 10.2.3	Not applicable
	4	Surface condition and dimensions	7.4, 7.6 10.3	See 10.3
	5	For welded products NDT of the weld	7.5 10.4.2, 10.4.3	Not applicable
<b>Optional tests</b>	6	Tensile test in corner region (Option 3.5)	7.2.1 10.2	One representative result per delivery item
	7	All other optional tests		Not applicable

Table 3 — Specific inspection for hot-finished hollow sections

Inspection requirements				Inspection programme
Type of test		Subclause reference(s)		Specific inspection
<b>Mandatory tests</b>	1	Cast analysis	7.1 10.1	One per cast
	2	Tensile test	7.2 10.2.2	One test per test unit <sup>a, b</sup>
	3	Impact test (not for steel grade of quality J0)	7.2.2 10.2.3	One set of tests per test unit <sup>a, b</sup>
	4	Surface condition and dimensions	7.4, 7.6 10.3	see 10.3
	5	For welded products NDT of the weld	7.5 10.4.2, 10.4.3	Full length
<b>Optional tests</b>	6	Product analysis (Option 3.3)	7.1 10.1	One per cast
	7	Option 3.4 not available in this part	-	-
	8	Tensile test in corner region (Option 3.5)	7.2.1	One test per test unit <sup>a</sup>
	9	Impact test in corner region (Option 3.6)	7.2.2	One set of tests per test unit <sup>a</sup>
	10	Impact test verification for quality J0 (Option 3.7)	7.2.3 10.2	One set of tests per test unit <sup>a, b</sup>
	11	Full peripheral NDT of the tube (Option 3.10)	7.5 10.4.4	Circular products, full length
	12	Ultrasonic inspection for laminar imperfections (Option 3.11)	7.5 10.4.5	Circular products, full length
<p><sup>a</sup> For test unit see 9.1.</p> <p><sup>b</sup> Longitudinal or transverse samples at the discretion of the manufacturer.</p>				

## 9 Frequency of testing and preparation of samples and test pieces

### 9.1 Frequency of tests

The verification of the mechanical properties and product analysis, if applicable, shall be carried out by a test unit. A test unit is defined as a quantity of hollow sections from one manufacturing lot of same grade and sectional dimensions including hollow sections from one or more coils or bars or ingots originating from one or more casts and, if applicable, in the same heat treatment condition, submitted for acceptance at the same time.

The following samples shall be taken from one sample product of each test unit:

- 1 for tensile testing;
- 1 sufficient for 2 sets of 3 impact test pieces;

The mass of a test unit shall not exceed the maximum tonnage of sections specified in Table 4.

**Table 4 — Test units**

Type of hollow section		Test unit max. mass t
Circular Outside diameter <i>D</i> mm	Square, rectangular or elliptical External perimeter mm	
≤ 114,3	≤ 400	40
> 114,3 ≤ 323,9	> 400 ≤ 800	50
> 323,9	> 800	75

### 9.2 Selection and preparation of samples for product analysis

Samples for product analysis, when required shall be taken from the sample product or alternatively from samples used for mechanical testing or from the full thickness of the hollow section at the same location as for the mechanical test samples. The selection and preparation of samples shall be in accordance with EN ISO 14284.

### 9.3 Location and orientation of samples for the mechanical tests

#### 9.3.1 Tensile test pieces

The test pieces for tensile testing shall conform to the following:

- a) the test piece may be the full section of the product;
- b) for circular or elliptical sections, not tested in full section, the test pieces shall be taken either longitudinally or transversely, at the discretion of the manufacturer, and, for welded sections, at a point remote from the weld (see Annex F);
- c) for square or rectangular sections, not tested in full section, the test pieces shall be taken either longitudinally or transversely, at the discretion of the manufacturer, midway between the corners, and, for welded sections, from one of the sides not containing the weld (see Annex F).

### 9.3.2 Impact test pieces

Test pieces for impact testing shall conform to the following:

- a) for circular or elliptical sections the test pieces shall be taken either longitudinally or transversely, at the discretion of the manufacturer, and, for welded sections, at a point remote from the weld (see Annex F);
- b) for square or rectangular sections the test pieces shall be taken either longitudinally or transversely, at the discretion of the manufacturer, midway between the corners, and, for welded sections, from one of the sides not containing the weld (see Annex F).

### 9.4 Preparation of test pieces for mechanical tests

#### 9.4.1 General

The requirements of EN ISO 377 shall apply in conjunction with the test piece location specified in 9.3.

#### 9.4.2 Tensile test pieces

The requirements of EN ISO 6892-1 as appropriate shall apply.

Test pieces may be non-proportional, but in cases of dispute proportional test pieces having a gauge length  $L_0 = 5,65 \sqrt{S_0}$  shall be used (see 10.2.2). For thicknesses less than 3 mm, a gauge length of  $L_0 = 80$  mm shall be used, provided a test piece width of 20 mm can be achieved, otherwise a gauge length of 50 mm shall be used with a test piece width of 12,5 mm.

#### 9.4.3 Impact test pieces

Impact Charpy-V-notch test pieces shall be machined and prepared in accordance with EN ISO 148-1.

For impact tests, standard Charpy-V-notch test pieces shall be used. If the nominal product thickness is not sufficient for the preparation of standard test pieces, the test shall be carried out using test pieces of width less than 10 mm, but not less than 5 mm. The minimum average values given in Tables C.4, D.4 and E.3 shall be reduced in direct proportion to the actual width of the test piece compared to that of the standard test piece.

In addition, the following requirements shall apply:

- a) the orientation of the notch is perpendicular to the rolled surface;
- b) for specified thicknesses  $> 12$  mm, standard test pieces shall be machined in such a way that one side is not further away than 2 mm from the outside surface;
- c) for specified thicknesses  $\leq 12$  mm, when test pieces with reduced sections are used, the width shall be  $\geq 5$  mm; the largest obtainable width shall be used. If test pieces of width 5 mm cannot be obtained then the material need not be submitted to impact testing;
- d) Impact tests are not required for specified thicknesses  $< 6,0$  mm.

Test piece size is dependent on the actual thickness of the sample and, for circular or elliptical hollow sections; allowance also needs to be made for the curvature of the section.

## 10 Test methods

### 10.1 Chemical analysis

The elements to be determined and reported shall be those given in Tables C.1, D.1 or E.1 for the cast analysis as applicable and those for determining the carbon equivalent value. The choice of a suitable physical or chemical analytical method for the analysis shall be at the discretion of the manufacturer.

In case of dispute, the method used shall be agreed taking into account CEN/TR 10261.

### 10.2 Mechanical tests

#### 10.2.1 Test temperature

Tensile tests shall be carried out in the temperature range 10 °C to 35 °C. Impact tests shall be carried out at the temperatures specified in Tables C.4, D.4 or E.3 for the steel grades.

#### 10.2.2 Tensile test

The tensile test shall be carried out in accordance with EN ISO 6892-1.

For the specified yield strengths Tables C.3, D.3 and E.3, the upper yield strength ( $R_{eH}$ ) shall be determined.

If a distinct yield phenomenon is not present, either the 0,2 % proof strength non-proportional extension ( $R_{p0,2}$ ) or the 0,5 % proof strength total extension ( $R_{t0,5}$ ) shall be determined at the discretion of the manufacturer. In cases of dispute, the 0,2 % proof strength ( $R_{p0,2}$ ) shall apply.

If a non-proportional test piece is used, the percentage elongation value obtained after fracture ( $A$ ) shall be converted to the value for a gauge length  $L_0 = 5,65 \sqrt{S_0}$  using the conversion tables given in EN ISO 2566-1.

For thicknesses less than 3 mm, the percentage elongation may be reported for a gauge length of 80 mm or 50 mm.

#### 10.2.3 Impact test

The impact test shall be carried out in accordance with EN ISO 148-1 on Charpy-V-notch specimens using the 2 mm striker. In addition, the following requirements shall apply:

- a) The average value of a set of three test pieces shall be equal to or greater than the specified value. One individual value may be below the specified value, provided that it is not less than 70 % of that value;
- b) If the conditions under a) are not satisfied then an additional set of three test pieces may be taken, at the discretion of the manufacturer, from the same sample and tested. To consider the test unit as conforming after testing the second set, the following conditions shall all be satisfied simultaneously:
  - 1) The average value of the six tests shall be equal to or greater than the minimum specified value;
  - 2) Not more than two of the six individual values may be lower than the minimum specified value;
  - 3) Not more than one of the six individual values may be lower than 70 % of the minimum specified value;
- c) If these conditions are not satisfied, the sample product is rejected and retests shall be carried out on the remainder of the test unit (see 9.1).

### **10.3 Visual inspection and dimensional check**

The hollow sections shall be visually inspected for compliance with the requirements of 7.4.

Verification checks on dimensions and shape to ensure compliance with EN 10210-2 shall be carried out.

### **10.4 Non-destructive testing**

#### **10.4.1 General**

When the welds of welded structural hollow sections are to be subjected to non-destructive testing, the method shall be in accordance with 10.4.2 or 10.4.3. At the manufacturer's discretion, the non-destructive testing may be carried out either on the circular shape prior to final forming or on the round, elliptical, square or rectangular hollow sections after final forming.

#### **10.4.2 Weld seams of electric welded sections**

The weld seam of electric welded hollow sections shall be tested in accordance with one of the following European Standards. The standard to be applied is at the discretion of the manufacturer.

- a) EN ISO 10893-2 to acceptance level E4H with the exception that the rotating tube/pancake coil technique shall not be permitted;
- b) EN ISO 10893-3 to acceptance level F5;
- c) EN ISO 10893-11 to acceptance level U5.

When EN ISO 10893-3 or EN ISO 10893-11 are used, calibration shall be carried out using an external reference notch.

Where the manufacturer applies a higher acceptance level than specified above, this is deemed to be in accordance with this document.

#### **10.4.3 Weld seams of submerged arc welded sections**

The weld seam of submerged arc welded hollow sections shall be tested either by an automated/semi-automated process in accordance with EN ISO 10893-11 or by a suitable manual method to acceptance level U4 or equivalent. Alternatively, radiography in accordance with EN ISO 10893-6/image quality class R2 or digital radiography in accordance with EN ISO 10893-7/image quality class A shall be used.

Butt welds, used to join lengths of strip/plate together in the spiral submerged arc weld process, shall be permitted, provided that the butt weld is tested by the same procedure and meets the same acceptance criteria as the main weld seam.

#### **10.4.4 Full peripheral NDT for imperfections**

Full peripheral NDT shall be performed in accordance with EN ISO 10893-2 to acceptance level E4/E4H, EN ISO 10893-3 to acceptance level F5 or EN ISO 10893-10, acceptance level U4D.

#### **10.4.5 Ultrasonic testing for laminar imperfections**

Ultrasonic testing for laminar imperfections shall be performed in accordance with EN ISO 10893-8 to acceptance level U3 utilizing either an automated/semi-automated system or manual methods as specified in Annex A of that standard.

For welded hollow sections, it is also permissible to test the strip or plate prior to production. In such cases, testing in accordance with EN ISO 10893-9 to acceptance level U3 or testing to EN 10160, acceptance level S1/E1 shall be carried out.

## 10.5 Retests, sorting and reprocessing

For retests, sorting and reprocessing the requirements of EN 10021 shall apply.

## 11 Marking

**11.1** Except as provided for in 11.2 for hollow sections which are bundled, each hollow section shall be marked by suitable and durable methods such as ink marking, paint stencilling, stamping, adhesive labels or bundle tags containing the following:

- the steel designation, e.g. EN 10210-3 — S460QH;
- the manufacturer's name or trademark or product brand name;
- an identification number, e.g. order number, which permits the correlation of the product or delivery unit to the related document.
- In the case of an inspection certificate 3.2, the mark of the external inspection representative (if agreed).

Where Option 3.8 (chemical composition for hot dip zinc coating) is specified, the marking methods and materials used can be agreed in order to avoid interference with the preparation for hot-dip zinc coating (see EN ISO 14713-2).

**11.2** Where the products are supplied bundled, the marking required in 11.1 shall be on a label, which shall be securely attached to the bundle.

**Annex A**  
(informative)

**Structural hollow sections of non-alloy quality steels — Chemical composition and mechanical properties**

These steel grades are to be found in EN 10210-1.

HUNAN BALING STEEL CO., LTD  
EMAIL: SALES@BALINGSTEEL.COM  
HTTPS://BALING-STEEL.COM/



**Annex B**  
(informative)

**Structural hollow sections of normalized/normalized rolled steels —  
Chemical composition and mechanical properties**

These steel grades are to be found in EN 10210-1.

HUNAN BALING STEEL CO., LTD  
EMAIL: SALES@BALINGSTEEL.COM  
HTTPS://BALING-STEEL.COM/

**Annex C**  
(normative)

**Structural hollow sections of thermomechanical formed steels — Chemical composition and mechanical properties**

**Table C.1 — Chemical composition – Cast analysis for product thicknesses ≤ 65 mm**

Steel grade		Type of deoxidation <sup>a</sup>	% by mass													
Steel name	Steel number		C max.	Si max.	Mn max.	P max.	S max.	Cr max.	Mo max.	Ni max.	Al total <sup>c</sup> min.	Cu max.	Nb max.	Ti max.	V max.	N max.
S275MH	1.8843	FF	0,16	0,50	1,50	0,030	0,025	0,30	0,10	0,30	0,020	0,55	0,090	0,060	0,08	0,015
S275MLH	1.8844					0,025										
S355MH	1.8845	FF	0,16	0,50	1,60	0,030	0,025	0,30	0,10	0,50	0,020	0,55	0,090	0,060	0,10	0,015
S355MLH	1.8846					0,025										
S420MH	1.8847	FF	0,16	0,50	1,70 b	0,030	0,025	0,30	0,20	0,80	0,020	0,55	0,090	0,060	0,12	0,025
S420MLH	1.8848					0,025										
S460MH	1.8849	FF	0,16	0,60	1,70 b	0,030	0,025	0,30	0,20	0,80	0,020	0,55	0,090	0,060	0,12	0,025
S460MLH	1.8850					0,025										
S500MH	1.8601	FF	0,16	0,60	1,70 b	0,030	0,020	0,30	0,20	0,80	0,020	0,55	0,090	0,060	0,12	0,025
S500MLH	1.8602					0,025										
S550MH	1.8610	FF	0,16	0,60	1,80	0,020	0,015	0,30	0,50	0,80	0,015	0,55	0,090	0,15	0,20	0,025
S550MLH	1.8611					0,020										

Steel grade		Type of deoxidation <sup>a</sup>	% by mass													
Steel name	Steel number		C max.	Si max.	Mn max.	P max.	S max.	Cr max.	Mo max.	Ni max.	Al total <sub>c</sub> min.	Cu max.	Nb max.	Ti max.	V max.	N max.
S600MH	1.8613	FF	0,16	0,60	1,90	0,020	0,015	0,30	0,50	0,80	0,015	0,55	0,090	0,22	0,20	0,025
S600MLH	1.8614					0,020	0,012									
S650MH	1.8615	FF	0,16	0,60	2,00	0,020	0,015	0,30	0,50	0,80	0,015	0,55	0,090	0,22	0,20	0,025
S650MLH	1.8617					0,020	0,012									
S700MH	1.8632	FF	0,16	0,60	2,10	0,020	0,015	0,30	0,50	0,80	0,015	0,55	0,090	0,22	0,20	0,025
S700MLH	1.8633					0,020	0,012									

- a The deoxidation method is designated as follows: FF = Fully killed steel containing nitrogen binding elements in amounts sufficient to bind the available nitrogen and having a fine grained structure.
- b The maximum Mn-content is allowed to be increased providing the C max is reduced as follows: Cmax 0,16 and Mn max 1,70, C max 0,14 and Mn max 1,80, Cmax 0,12 and Mn max 1,90, Cmax 0,10 and Mn max 2,00, C max 0,08 and Mn max 2,10.
- c If sufficient N-binding elements are present, the minimum total Al content does not apply.

**Table C.2 — Maximum carbon equivalent value (CEV) based on cast analysis**

Steel grade		Maximum CEV for specified thicknesses	
Steel name	Steel number	t ≤ 16 mm	16 mm < t ≤ 65 mm
S275MH	1.8843	0,34	0,34
S275MLH	1.8844		
S355MH	1.8845	0,40	0,40
S355MLH	1.8846		
S420MH	1.8847	0,44	0,45
S420MLH	1.8848		
S460MH	1.8849	0,46	0,46
S460MLH	1.8850		
S500MH	1.8601	0,47	0,47
S500MLH	1.8602		
S550MH	1.8610	0,47	0,47
S550MLH	1.8611		
S600MH	1.8613	0,47	0,47
S600MLH	1.8614		
S650MH	1.8615	0,47	0,47
S650MLH	1.8617		
S700MH	1.8632	0,47	0,47
S700MLH	1.8633		

Table C.3 — Mechanical properties of thermomechanical formed steel hollow sections

Steel grade		Minimum yield strength $R_{eH}$			Tensile strength $R_m$	Minimum elongation $A$	
		MPa				MPa	%
Steel name	Steel number	For specified thickness			for specified thickness	for specified thickness $\leq 65$ mm	
		mm				mm	Longitudinal
		$\leq 16$	$> 16 \leq 40$	$> 40 \leq 65$	$\leq 65$		
S275MH	1.8843	275	265	255	360 to 510	24	22
S275MLH	1.8844						
S355MH	1.8845	355	345	335	450 to 610	22	19
S355MLH	1.8846						
S420MH	1.8847	420	400	390	500 to 660	19	17
S420MLH	1.8848						
S460MH	1.8849	460	440	430	530 to 720	17	15
S460MLH	1.8850						
S500MH	1.8601	500	480	460	580 to 760	15	13
S500MLH	1.8602						
S550MH	1.8610	550	530	500	600 to 760	14	12
S550MLH	1.8611						
S600MH	1.8613	600	580	550	650 to 820	13	11
S600MLH	1.8614						
S650MH	1.8615	650	630	-	700 to 880	12	10
S650MLH	1.8617						
S700MH	1.8632	700	680	-	750 to 950	10	8
S700MLH	1.8633						

**Table C.4 — Mechanical properties - Impact energy on longitudinal and transvers V-notch test pieces of thermomechanical formed steel hollow sections**

Steel grade		Minimum values of impact energy $KV_2$ in J <sup>a, b</sup> at test temperature in °C of			
		-50		-20	
		Longitudinal	Transverse	Longitudinal	Transverse
Steel name	Steel number				
S275MH	1.8843				
S355MH	1.8845				
S420MH	1.8846				
S460MH	1.8847				
S500MH	1.8601	—	—	40 <sup>c</sup>	20
S550MH	1.8602				
S600MH	1.8610				
S650MH	1.8615				
S700MH	1.8632				
S275MLH	1.8844				
S355MLH	1.8848				
S420MLH	1.8849				
S460MLH	1.8850				
S500MLH	1.8611	27	16	—	—
S550MLH	1.8613				
S600MLH	1.8614				
S650MLH	1.8617				
S700MLH	1.8633				
If a Charpy test is performed at a lower temperature than specified in the standard and the impact energy values obtained meet the requirements at the higher temperature, then the material is deemed to conform to the standard and the test need not be repeated at the higher temperature.					
<p><sup>a</sup> For impact properties for reduced section test pieces see 9.4.3.</p> <p><sup>b</sup> The testing is performed for grades MH at -20 °C and for grades MLH at -50 °C.</p> <p><sup>c</sup> This value corresponds to 27 J at -30 °C (see EN 1993-1-10).</p>					

**Annex D**  
(normative)

**Structural hollow sections of quenched and tempered steels — Chemical composition and mechanical properties**

**Table D.1 — Chemical composition — Cast analysis for product thickness ≤ 65 mm**

Steel grade		Type of deoxidation <sup>b</sup>	C max.	Si max.	Mn max.	P max.	S max.	Cr max.	Mo max.	Ni max.	% by mass <sup>a</sup>									
Steel name	Steel number										Cu max.	Nb max. <sub>c</sub>	Ti max. <sub>c</sub>	V max. <sub>c</sub>	W max.	Zr max. <sub>c</sub>	N max.	B max.		
S460QH	1.8608	FF	0,25	0,80	1,70	0,025	0,015	1,50	0,70	2,00	0,50	0,06	0,05	0,16	1,50	0,15	0,020	0,0050		
S460QLH	1.8606						0,010													
S460QL1H	1.8616						0,010													
S500QH	1.8603	FF	0,25	0,80	1,70	0,025	0,015	1,50	0,70	2,00	0,50	0,06	0,05	0,16	1,50	0,15	0,020	0,0050		
S500QLH	1.8605						0,010													
S500QL1H	1.8607						0,010													
S550QH	1.8604	FF	0,25	0,80	1,70	0,025	0,015	1,50	0,70	2,00	0,50	0,06	0,05	0,16	1,50	0,15	0,020	0,0050		
S550QLH	1.8626						0,010													
S550QL1H	1.8686						0,010													
S620QH	1.8620	FF	0,25	0,80	1,70	0,025	0,015	1,50	0,70	2,00	0,50	0,06	0,05	0,16	1,50	0,15	0,020	0,0050		
S620QLH	1.8622						0,010													
S620QL1H	1.8684						0,010													
S690QH	1.8631	FF	0,25	0,80	1,70	0,025	0,015	1,50	0,70	2,00	0,50	0,06	0,05	0,16	1,50	0,15	0,020	0,0050		
S690QLH	1.8628						0,010													
S690QL1H	1.8688						0,010													

EN 10210-3:2020 (E)

Steel grade		Type of deoxidation <sup>b</sup>	% by mass <sup>a</sup>															
Steel name	Steel number		C max.	Si max.	Mn max.	P max.	S max.	Cr max.	Mo max.	Ni max.	Cu max.	Nb max. <sub>c</sub>	Ti max. <sub>c</sub>	V max. <sub>c</sub>	W max. <sub>c</sub>	Zr max. <sub>c</sub>	N max.	B max.
S770QH	1.8635				0,025	0,015												
S770QLH	1.8636	FF	0,25	0,80	1,70	0,020	0,010	1,50	2,00	0,50	0,06	0,06	0,16	1,50	0,15	0,020	0,0050	
S770QL1H	1.8689				0,020	0,010												
S890QH	1.8637				0,025	0,015												
S890QLH	1.8638	FF	0,25	0,80	1,70	0,020	0,010	1,50	2,00	0,50	0,06	0,06	0,16	1,50	0,15	0,020	0,0050	
S890QL1H	1.8690				0,020	0,010												
S960QH	1.8639				0,025	0,015												
S960QLH	1.8640	FF	0,25	0,80	1,70	0,020	0,010	1,50	2,00	0,50	0,06	0,06	0,16	1,50	0,15	0,020	0,0050	
S960QL1H	1.8691				0,020	0,010												

<sup>a</sup> Depending on thickness of the product and the manufacturing conditions, the manufacturer may in order to obtain the specified properties add one or several alloying elements up to the maximum values given.

<sup>b</sup> The deoxidation method is designated as follows: FF = fully killed steel containing nitrogen binding elements in amounts sufficient to bind the available nitrogen and having a fine grain structure.

<sup>c</sup> There shall be at least 0,015 % of a grain-refining element present. Aluminium is one of these elements. The minimum content of 0,015 % applies to soluble aluminium, this value is regarded as attained if the total aluminium content is at least 0,018 %; in case of dispute the soluble aluminium content shall be determined.



Table D.2 — Maximum carbon equivalent value (CEV) based on cast analysis

Steel grade		Maximum CEV
Steel name	Steel number	
S460QH	1.8608	0,47
S460QLH	1.8606	
S460QL1H	1.8616	
S500QH	1.8603	0,47
S500QLH	1.8605	
S500QL1H	1.8607	
S550QH	1.8604	0,65
S550QLH	1.8626	
S550QL1H	1.8686	
S620QH	1.8620	0,65
S620QLH	1.8622	
S620QL1H	1.8684	
S690QH	1.8631	0,65
S690QLH	1.8628	
S690QL1H	1.8688	
S770QH	1.8635	0,65
S770QLH	1.8636	
S770QL1H	1.8689	
S890QH	1.8637	0,72
S890QLH	1.8638	
S890QL1H	1.8690	
S960QH	1.8639	0,82
S960QLH	1.8640	
S960QL1H	1.8691	

Table D.3 — Mechanical properties of quenched and tempered steel hollow sections

Steel grade		Minimum yield strength $R_{eH}$			Tensile strength $R_m$			Minimum elongation $A$	
		MPa			MPa			%	
Steel name	Steel number	For specified thickness			for specified thickness			for specified thickness $\leq 65$ mm	
		mm			mm			Long.	Trans.
		$\leq 16$	$> 16 \leq 40$	$> 40 \leq 65$	$\leq 16$	$> 16 \leq 40$	$> 40 \leq 65$		
S460QH	1.8608	460	440	400	550 to 720	550 to 720	500 to 670	17	15
S460QLH	1.8606								
S460QL1H	1.8616								
S500QH	1.8603	500	480	440	590 to 770	590 to 770	540 to 720	17	15
S500QLH	1.8605								
S500QL1H	1.8607								
S550QH	1.8604	550	530	490	640 to 820	640 to 820	590 to 770	16	14
S550QLH	1.8626								
S550QL1H	1.8686								
S620QH	1.8620	620	580	560	700 to 890	700 to 890	650 to 830	15	13
S620QLH	1.8622								
S620QL1H	1.8684								
S690QH	1.8631	690	650	630	770 to 940	720 to 930	710 to 900	14	12
S690QLH	1.8628								
S690QL1H	1.8688								
	1.8635	770	710	670	850 to 1020	770 to 950	720 to 920	13	11
	1.8636								
	1.8689								
	1.8637	890	830	-	940 to 1120	880 to 1100	850 to 1050	11	9
	1.8638								
	1.8690								
	1.8639	960	850	-	980 to 1170	900 to 1100	870 to 1050	10	8
	1.8640								
	1.8691								

**Table D.4 — Mechanical properties - Impact energy on longitudinal and transverse V-notch test pieces of quenched and tempered steel hollow sections**

Steel grade		Minimum values of impact energy $KV_2$ in J <sup>a, b, c</sup> at test temperature in °C of					
		-50		-40		-20	
		Longitudinal	Transverse	Longitudinal	Transverse	Longitudinal	Transverse
Steel name	Steel number						
S460QH	1.8608						
S500QH	1.8603						
S550QH	1.8604						
S620QH	1.8620	—	—	—	—	30	27
S690QH	1.8631						
S770QH	1.8635						
S890QH	1.8637						
S960QH	1.8639						
S460QLH	1.8606						
S500QLH	1.8605						
S550QLH	1.8626						
S620QLH	1.8622	—	—	30	27	—	—
S690QLH	1.8628						
S770QLH	1.8636						
S890QLH	1.8638						
S960QLH	1.8640						
S460QL1H	1.8616						
S500QL1H	1.8607						
S550QL1H	1.8686						
S620QL1H	1.8684	35	27	—	—	—	—
S690QL1H	1.8688						
S770QL1H	1.8689						
S890QL1H	1.8690						
S960QL1H	1.8691						

If a Charpy test is performed at a lower temperature than specified in the standard and the impact energy values obtained meet the requirements at the higher temperature, then the material is deemed to conform to the standard and the test need not be repeated at the higher temperature.

a For impact properties for reduced section test pieces see 9.4.3.

b The testing is performed for grades QH at -20 °C, for grades QLH at -40 °C and for grades QL1H at -50 °C.

c For correlation to other temperatures see EN 1993-1-10.

**Annex E**  
(normative)

**Structural hollow sections of steels with improved atmospheric corrosion resistance — Chemical composition and mechanical properties**

**Table E.1 — Chemical composition – Cast analysis for product thicknesses ≤ 65 mm**

Steel grade		Type of deoxidation <sup>a</sup>	% by mass									
Steel name	Steel number		C max.	Si max.	Mn max.	P max.	S max.	Cr	Mo max.	Ni max.	Al total <sup>b, c</sup> min.	Cu
S355J0WH	1.8644	FF	0,16	0,50	0,50 to 1,50	0,035	0,035	0,30 to 1,25	0,30	0,65	0,020	0,25 to 0,55
S355J2WH	1.8645	FF				0,030	0,030					
S355K2WH	1.8646	FF	0,16	0,50	0,50 to 1,50	0,030	0,030	0,40 to 0,80			0,020	
S420K2WH	1.8647	FF	0,20	0,65	0,50 to 1,50	0,030	0,030	0,40 to 0,80	0,30	0,65	0,020	0,25 to 0,55
S460K2WH	1.8648	FF	0,20	0,65	0,50 to 1,50	0,030	0,030	0,40 to 0,80	0,30	0,65	0,020	0,25 to 0,55
S500K2WH	1.8649	FF	0,20	0,65	0,50 to 1,50	0,030	0,030	0,40 to 0,80	0,30	0,65	0,020	0,25 to 0,55

<sup>a</sup> The deoxidation method is designated as follows: FF = Fully killed steel containing nitrogen binding elements in amounts sufficient to bind the available nitrogen and having a fine grained structure.

<sup>b</sup> If sufficient N-binding elements are present, the minimum total Al content does not apply. The nitrogen binding elements shall be reported in the inspection document.

<sup>c</sup> The steels shall contain at least one of the following elements: Al total ≥ 0,020 %, Nb: 0,015 - 0,060 %, V: 0,02 - 0,12 %, Ti: 0,02 - 0,10 %. If these elements are used in combination, at least one of them shall be present with the minimum content indicated.

Table E.2 — Maximum carbon equivalent value (CEV) based on cast analysis

Steel grade		Maximum CEV for specified thicknesses $t \leq 65$ mm
Steel name	Steel number	
S355J0WH	1.8644	0,52
S355J2WH	1.8645	
S355K2WH	1.8646	
S420K2WH	1.8647	0,52
S460K2WH	1.8648	0,52
S500K2WH	1.8649	0,52

Table E.3 — Mechanical properties for steel hollow sections with improved atmospheric corrosion resistance

Steel grade	Steel name	Steel number	Minimum yield strength $R_{eH}$ MPa			Tensile strength $R_m$ MPa		Minimum elongation $A$ %	Minimum values of impact energy $KV_2$ in J <sup>a</sup>						
			For specified thickness mm			for specified thickness mm			at a test temperature of						
			$\leq 16$	$> 16 \leq 40$	$> 40 \leq 65$	$\leq 3$	$> 3 \leq 65$	$\leq 65$	-20 °C	0 °C					
S355J0WH		1.8644	355	345	335	510 to 680	470 to 630	20	-	27					
S355J2WH		1.8645												27	-
S355K2WH		1.8646												40 <sup>b</sup>	-
S420K2WH		1.8647	420	400	390	520 to 680	520 to 680	17	40 <sup>b</sup>	-					
S460K2WH		1.8648	460	440	430	540 to 720	530 to 710	15							
S500K2WH		1.8649	500	480	460	590 to 770	580 to 760	14							

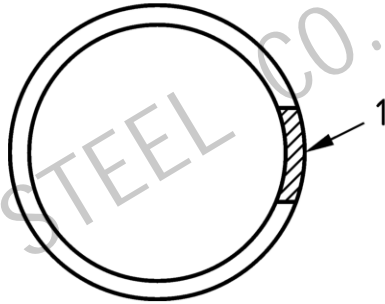
<sup>a</sup> For impact properties for reduced section test pieces see 9.4.3.

<sup>b</sup> This value corresponds to 27J at -30 °C (see EN 1993-1-10).

**Annex F**  
(normative)

**Location of samples and test pieces**

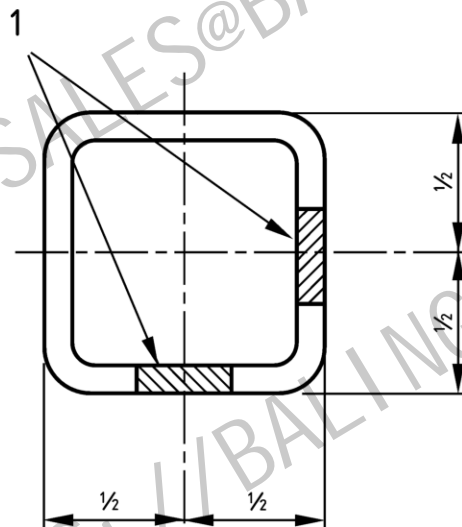
Figures F.1 to F.4 give information on the location of samples and test pieces for hollow sections (see 9.3).



**Key**

1 At any point on circumference but in the case of welded sections remote from the weld

**Figure F.1 — Circular and elliptical sections**

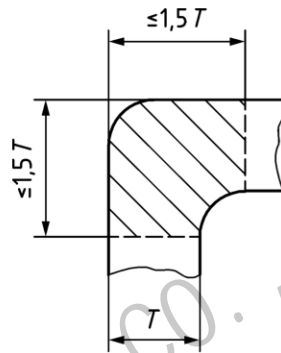


**Key**

1 Alternative positions (on any side except a side containing the weld in welded sections)

**Figure F.2 — Square and rectangular sections**

Figures F.3 and F.4 give additional information on the location of samples and test pieces for hollow sections (see 9.3).



**Key**

$T$  Wall thickness

**Figure F.3 — Location of samples and test pieces for the tensile test for square and rectangular hollow sections in the corner region**



**Key**

$T$  Wall thickness

**Figure F.4 — Location of test pieces for the impact test for square and rectangular hollow sections in the corner region**

**Annex G**  
(informative)

**Hot finished hollow section production processes, manufacturing routes and delivery conditions**

**Table G.1 — Hot finished hollow section production processes, manufacturing routes and delivery conditions**

Route No.	Hollow section production process		Starting feedstock material	Forming operation	Final production process	Grade designations				Weathering
	Process	Symbol				Non-alloy	Normalized/ normalized/ rolled (fine grain steel)	Thermomechanically formed (fine grain steel)	Quenched and tempered (fine grain steel)	
	Seamless	S	Appropriate concast, ingot or bar feedstock	Seamless production process	Applicable only to non-alloy and weathering steels: Full body normalized, normalized rolled, normalized formed	JRH J0H J2H K2H	NH NLH	Not applicable	Not applicable	J0WH J2WH K2WH
				Quenched and tempered <sup>a</sup>		JRH <sup>+</sup> QT J0H <sup>+</sup> QT J2H <sup>+</sup> QT K2H <sup>+</sup> QT	NH <sup>+</sup> QT NLH <sup>+</sup> QT	Not applicable	QH QLH QL1H	Not applicable



Route No.	Hollow section production process		Starting feedstock material	Forming operation	Final production process	Grade designations				
	Process	Symbol				Non-alloy	Normalized/ normalized rolled (fine grain steel)	Thermomechanically formed (fine grain steel)	Quenched and tempered (fine grain steel)	Weathering
					Full body heat treated > 580°C but below normalizing temperature	JRH J0H J2H K2H	Not applicable	Not applicable	Not applicable	J0WH J2WH K2WH
					Full body normalized, normalized rolled, normalized formed	JRH J0H J2H K2H	NH NLH	Not applicable	Not applicable	J0WH J2WH K2WH
	Electric Welded	EW	Hot rolled strip	Cold formed and welded	TMCP Formed (squares and rectangles only) b	JRH J0H J2H K2H	Not applicable	MH MLH	Not applicable	Not applicable
					Quenched and tempered <sup>a</sup>	JRH <sup>+</sup> QT J0H <sup>+</sup> QT J2H <sup>+</sup> QT K2H <sup>+</sup> QT	NH <sup>+</sup> QT NLH <sup>+</sup> QT	Not applicable	QH QLH QL1H	Not applicable
			Normalized rolled strip	Cold formed and welded	Normalized weld line area (circular with D/T ≥ 20 only) <sup>c</sup>	JRH J0H J2H K2H	NH NLH	Not applicable	Not applicable	Not applicable

Route No.	Hollow section production process		Starting feedstock material	Forming operation	Final production process	Grade designations					
	Process	Symbol				Non-alloy	Normalized/ normalized rolled (fine grain steel)	Thermomechanically formed (fine grain steel)	Quenched and tempered (fine grain steel)	Weathering	
					Full body heat treated > 580°C but below normalizing temperature	JRH J0H J2H K2H	Not applicable	Not applicable	Not applicable	Not applicable	Not applicable
	Submerged arc welded Longitudinal seam or Helical seam	SAW: -SAWL -SAWH	Hot rolled plate or strip	Cold formed and welded or hot formed and welded	Full body normalized, normalized rolled, normalized formed	JRH J0H J2H K2H	NH NLH	Not applicable	Not applicable	Not applicable	J0WH J2WH K2WH
					Quenched and tempered <sup>a</sup>	JRH <sup>+</sup> QT J0H <sup>+</sup> QT J2H <sup>+</sup> QT K2H <sup>+</sup> QT	NH <sup>+</sup> QT NLH <sup>+</sup> QT	Not applicable	Not applicable	QH QLH QL1H	Not applicable

<sup>a</sup> See 6.4.

<sup>b</sup> See 3.1.3.

<sup>c</sup> See 3.1.2, NOTE.

## Bibliography

- [1] EN 1993-1-10, *Eurocode 3: Design of steel structures - Part 1-10: Material toughness and through-thickness properties*
- [2] EN 10025-4, *Hot rolled products of structural steels - Part 4: Technical delivery conditions for thermomechanical rolled weldable fine grain structural steels*
- [3] EN 10025-5, *Hot rolled products of structural steels - Part 5: Technical delivery conditions for structural steels with improved atmospheric corrosion resistance*
- [4] EN 10025-6, *Hot rolled products of structural steels - Part 6: Technical delivery conditions for flat products of high yield strength structural steels in the quenched and tempered condition*
- [5] EN 10210-1, *Hot finished structural hollow sections of non-alloy and fine grain steels - Part 1: Technical delivery conditions*
- [6] EN ISO 1461, *Hot dip galvanized coatings on fabricated iron and steel articles - Specifications and test methods (ISO 1461)*